



# AFINIA LABEL

## L301 LABEL PRINTER

# Quick Setup and Installation Guide

For more detailed information, please refer to the **User Guide** installed on your PC.

## Unpack:

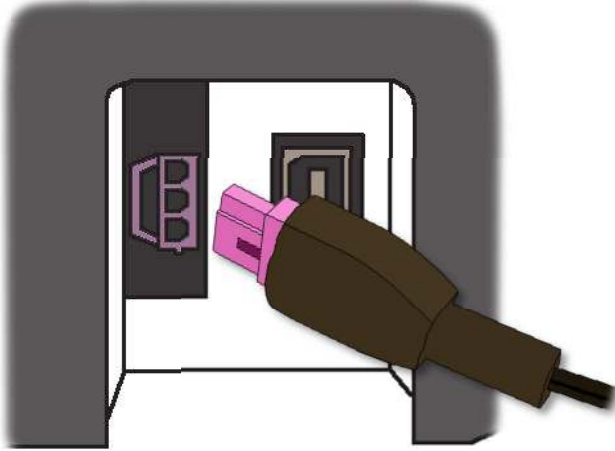


### 1 Remove Tape



## 2 Connect Power

a



b



## 3 Install Ink Cartridges

a

Open Ink Cartridge Access Door

b

Remove plastic tape from cartridges using pull tab



c

Lift cartridge latches



d

Carefully insert ink cartridges  
*Must be Afinia ink cartridges!*

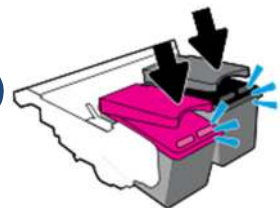
d



e

Lower cartridge latches until they click

e



f

Close Ink Cartridge Access Door

## 4 Install Printer

a



b

Run **Setup.exe**



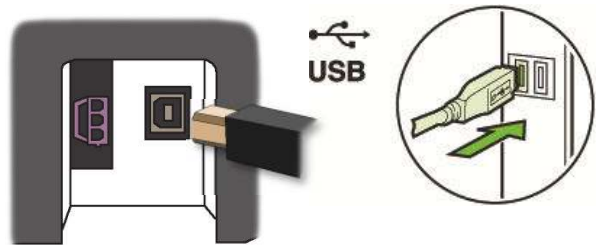
c

Click **Install** (will see this 3 times)



d

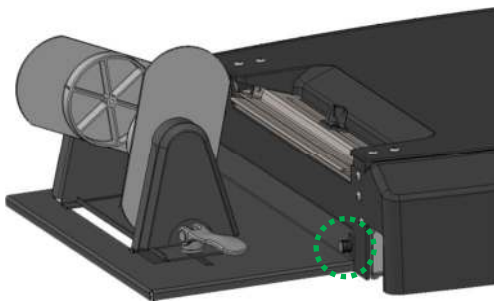
Connect printer to PC



## 5 Install Unwinder and Load Media

a

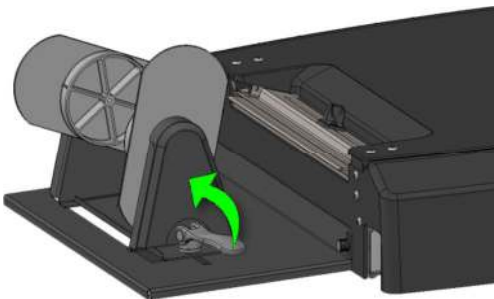
Connect Unwinder to Printer



2 thumbscrews included for installation (1 shown)

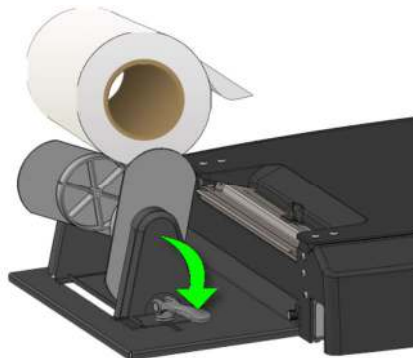
b

Lift unwinder lever on adjustable holder to unlock



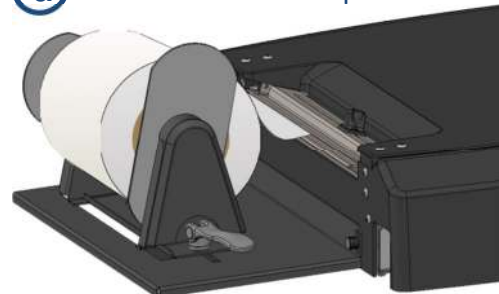
c

Place roll on fixed holder, slide adjustable holder onto core, lock lever down



d

Insert stock into input slot



Push stock in until auto-feed begins, then adjust Paper Guide

## Control Panel LEDs

The LEDs on the control panel indicate a number of printer states:

Green LED	Red LED	Display	
<b>Off</b>	<b>Off</b>	Off	1. Power cable not plugged in 2. Plugged in, but power button not pressed
<b>Slow Blink</b>	<b>Fast Blink</b>	Off	Power cable was just plugged in
<b>Always On</b>	<b>Fast Blink</b>	On	Printer powering up
<b>Slow Blink</b>	<b>Off</b>	On	Printer on, no stock loaded
<b>Always On</b>	<b>Off</b>	On	Printer on, stock loaded (ready)
<b>On or Blink</b>	<b>Always On</b>	On	Cutter not in Home position (fully left or right) <b>Printer is paused in this state</b>
<b>On</b>	<b>Blink</b>	“Printing...”, “Cancelling...”	Incorrect Media type; cut required. Perform cut and move cutter to home position. After cut, media will unload. Load correct media and touch OK to print or touch Cancel
<b>Slow Blink</b>	<b>Blink</b>	“Out of Paper”	Cut required. Perform cut and move cutter to home position. After cut, media will unload. Load media and touch OK to print or touch Cancel

---

For technical questions or support issues, contact Afinia Label Technical Support:

PH: 952-279-2643

[support@afinia.com](mailto:support@afinia.com)

[www.afinialabel.com/support](http://www.afinialabel.com/support)

Please have the Serial Number of your Afinia Label L301 Label Printer available when contacting Technical Support.